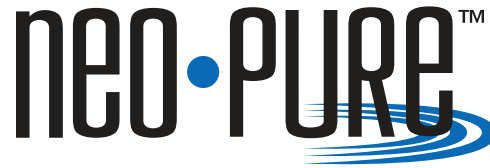


Multi-Cartridge Filter Housings 4 and 5 Round Series



Applications

- Chemicals
- Cooling Tower Filtration
- Desalination Prefiltration
- Electronics
- Food and Beverage
- Oil / Gas
- Paints / Inks / Coatings
- Paper and Pulp
- Power
- Water



Residential/Commercial/Industrial Filtration Applications

Standard Features

- Manufactured in the USA
- Holds four or five cartridges from 10" to 40" lengths for optimal choice of flow rates
- Heavy-duty 304L or 316L stainless steel construction for maximum durability and corrosion resistance
- V-band clamp or swing bolt closures for quick and easy cartridge change-outs and secure sealing
- Universal seal cups and compression plates accept DOE and 222/FLAT or FIN cartridges – standard on all filter housings
- 1/4" gauge port on body – standard on all filter housings
- FNPT inlet and outlet connections – standard on 4, 5 and 7 round

Product Specifications

Maximum Operating Pressure

150 psig (10.3 bar) @ 300° F (149° C) - Standard

250 psig (17.2 bar) @ 300° F (149° C) - Optional

Connections

Inlet/Outlet: Standard – 2" FNPT

Optional: MNPT or BSP fittings; RF flanges,

Sanitary ferrules or grooved fittings

Drain Ports: 1/2" FNPT

Vent Ports: 1/4" FNPT

Materials of Construction

Head/Shell/Connections: 304L or 316L stainless steel

Closure: Clamp – 304L stainless steel

Swing bolts – zinc plated steel

Vent and Drain Plugs: 304L or 316L stainless steel

Gaskets

Standard: Buna N (FDA grade)

Optional: EPR, silicone, Teflon encapsulated silicone, Viton

Finish

Poly-coat on exterior surfaces

Optional: 3M™ coating, electropolish, glass bead or passivate

Cartridge Type

DOE style cartridges (maximum 2-3/4" OD) OR

222/FLAT or FIN cartridges – standard on all filter housings

Custom Options

Available in ASME "U" Code specifications, or built to ASME code with no stamp, for commercial and industrial filtration

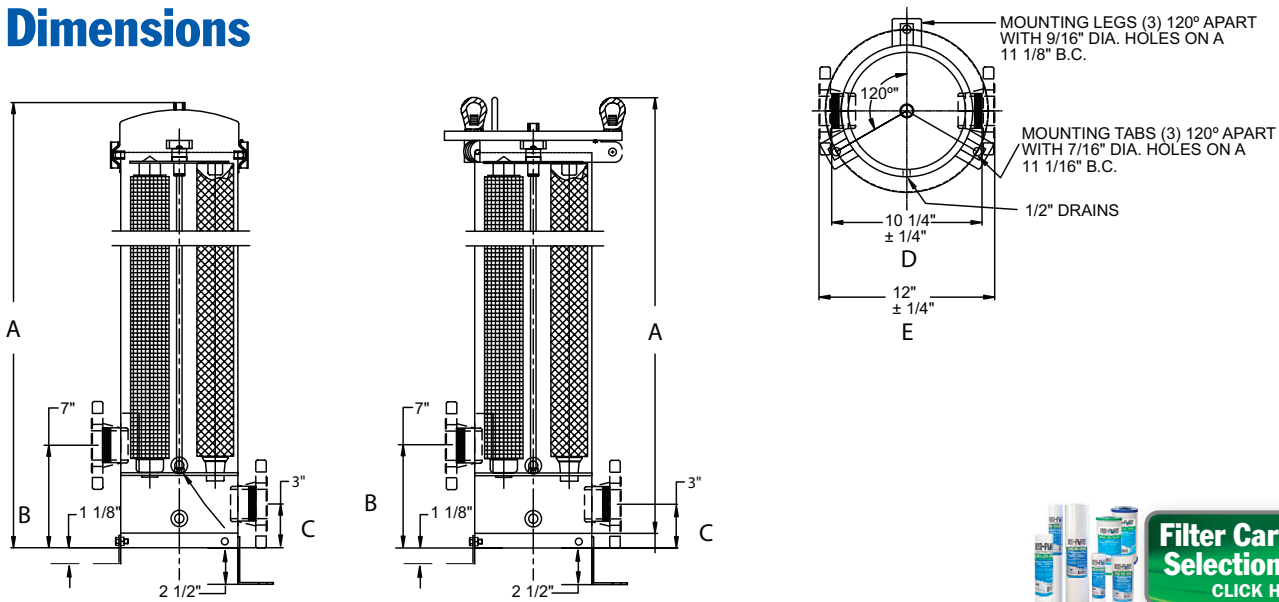
MODEL	QUANTITY (LENGTH) OF CARTRIDGES +	RATED FLOW CAPACITY* GPM (LPM)	MAXIMUM DIAMETER CARTRIDGE	CLAMP STYLE	SWING BOLT STYLE					
				A	A	B	C	D	E	
BCM4X1/BCM5X1	4/5 (10")	28 (106) / 35 (132)	2-3/4"	20-7/8" (53.0 cm)	22-1/4" (50.3 cm)	7" (17.8 cm)	3" (7.6 cm)	10-1/4" (26.0 cm)	12" (30.46 cm)	
SBM4X1/SBM5X1	4/5 (10")	28 (106) / 35 (132)	2-3/4"	20-7/8" (53.0 cm)	22-1/4" (50.3 cm)	7" (17.8 cm)	3" (7.6 cm)	10-1/4" (26.0 cm)	12" (30.46 cm)	
BCM4X2/BCM5X2	4/5 (20")	56 (212) / 70 (285)	2-3/4"	30-7/8" (78.4 cm)	32-1/4" (81.9 cm)	7" (17.8 cm)	3" (7.6 cm)	10-1/4" (26.0 cm)	12" (30.46 cm)	
SBM4X2/SBM5X2	4/5 (20")	56 (212) / 70 (285)	2-3/4"	30-7/8" (78.4 cm)	32-1/4" (81.9 cm)	7" (17.8 cm)	3" (7.6 cm)	10-1/4" (26.0 cm)	12" (30.46 cm)	
BCM4X3/BCM5X3	4/5 (30")	84 (318) / 105 (397)	2-3/4"	40-7/8" (103.8 cm)	42-1/4" (107.3 cm)	7" (17.8 cm)	3" (7.6 cm)	10-1/4" (26.0 cm)	12" (30.46 cm)	
SBM4X3/SBM5X3	4/5 (30")	84 (318) / 105 (397)	2-3/4"	40-7/8" (103.8 cm)	42-1/4" (107.3 cm)	7" (17.8 cm)	3" (7.6 cm)	10-1/4" (26.0 cm)	12" (30.46 cm)	
BCM4X4/BCM5X4	4/5 (40")	112 (424) / 140 (530)	2-3/4"	50-7/8" (129.2 cm)	52-1/4" (132.7 cm)	7" (17.8 cm)	3" (7.6 cm)	10-1/4" (26.0 cm)	12" (30.46 cm)	
SBM4X4/SBM5X4	4/5 (40")	112 (424) / 140 (530)	2-3/4"	50-7/8" (129.2 cm)	52-1/4" (132.7 cm)	7" (17.8 cm)	3" (7.6 cm)	10-1/4" (26.0 cm)	12" (30.46 cm)	

+ Housings will accept cartridge lengths: 10" = (9-3/4" or 10"), 20" = (19-1/2" or 20"), 30" = (29-1/4" or 30") and 40" = (39" or 40")

* Based upon 7 gpm per 10" length with a 25 micron wound cartridge at 2 PSID clean and viscosity of 1 cps. Flow rates are for guidelines only.

Actual flow rates are based on fluid, viscosity, cartridge type, micron ratings and other factors.

Dimensions



Filter Cartridges Selection Guide
CLICK HERE

Ordering Guide (Example: BCM4X3-316L-226-2FC-PG-E)

MODEL	CARTRIDGE LENGTH	MATERIAL /FINISH	CARTRIDGE CONFIGURATION	INLET /OUTLET	CONNECTION TYPE	OPTIONS	GASKET
BCM4X = 4 cartridges BCM5X = 5 cartridges (V-Band Clamp Closure)	1 = 10", 9-7/8", 9-3/4"	Blank = 304L (Standard) 316L = 316L 304LC = 304L Coated 316LC = 316L Coated 304LEP = 304L Electropolished	Blank = DOE (Standard) 226 = 226 Fin/ Flat	2 = 2" (Standard up to 7 round)	FT = FNPT (Standard) MT = MNPT Male Thread FC = Female Couplings	Blank = Mounting Legs, Gauge Ports (Standard) PG = Pressure Gauges (2) P = Passivate U = ASME Code "U" Stamp NS = Built to ASME Code/no Stamp HP = High Pressure (up to 250psi)	Blank = Buna N (Standard) E = EPR S = Silicone V = Viton T = Teflon Encapsulated Silicone
SBM4X = 4 cartridges SBM5X = 5 cartridges (Swing Bolt Closure)	2 = 20", 19-1/2"	304L = 304L 316L = 316L 304LEP = 304L Electropolished		3 = 3" 4 = 4" 6 = 6" 8 = 8"	BT = BSP Tapered BP = BSP Parallel FL = Flange TC = Ferrules GF = Grooved Fittings		
	3 = 30", 29-1/4"	316LEP = 316L Electropolished					
	4 = 40"	304LGB = 304L Glass Bead					

*ASME Code "U" Stamped housings are only available with Swing Bolt Closures.



9450 SW Gemini Dr, ECM #83358, Beaverton, OR 97008
Tel 855.896.3525 · Fax 866.409.9622
www.neologicsolutions.com · info@neologicsolutions.com
STUART, FL · BEAVERTON, OR · GREENVILLE, SC · SAN DIEGO, CA

QUESTIONS?

Ask one of our Service Representatives:
Mon-Fri 8a-8p, Sat 8:30a-4:30p EST

We ship six days a week!

